

Product Specification

NHD-C0216CiZ-FSW-FBW-3V3

Chip-on-Glass (COG) Liquid Crystal Display

NHD-	Newhaven Display
C0216-	COG, 2 Line x 16 Characters
CiZ-	Model
F-	Transflective
SW-	Side white LED Backlight
F-	FSTN (+)
B-	6:00 Optimal View
W-	Wide Temperature
3V3-	3.0V LCD, 3.0V Backlight

Table of Contents

Document Revision History.....	2
Mechanical Drawing.....	3
Recommended PCB Footprint.....	4
Pin Description.....	5
Wiring Diagram.....	5
Optical Characteristics.....	6
Controller Information.....	6
Slave Address.....	7
Table of Commands.....	8
Timing Characteristics.....	9
Built-In Font Table.....	10
Example Initialization Program.....	11
Quality Information.....	13

Additional Resources

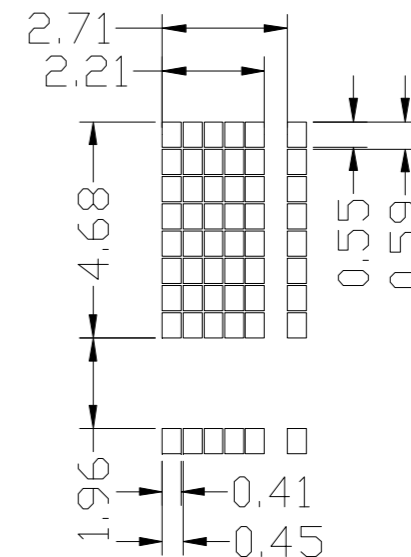
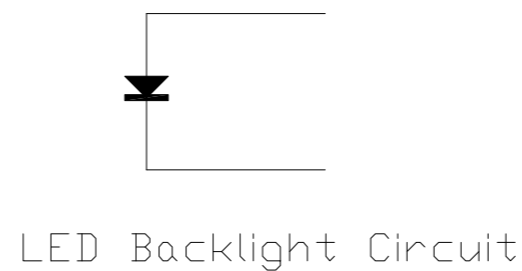
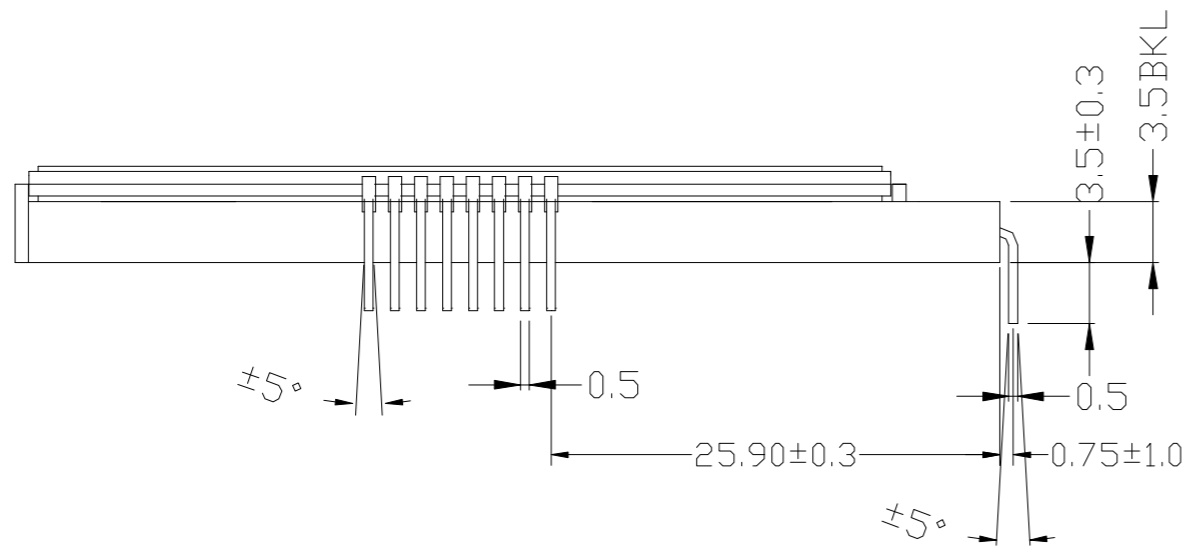
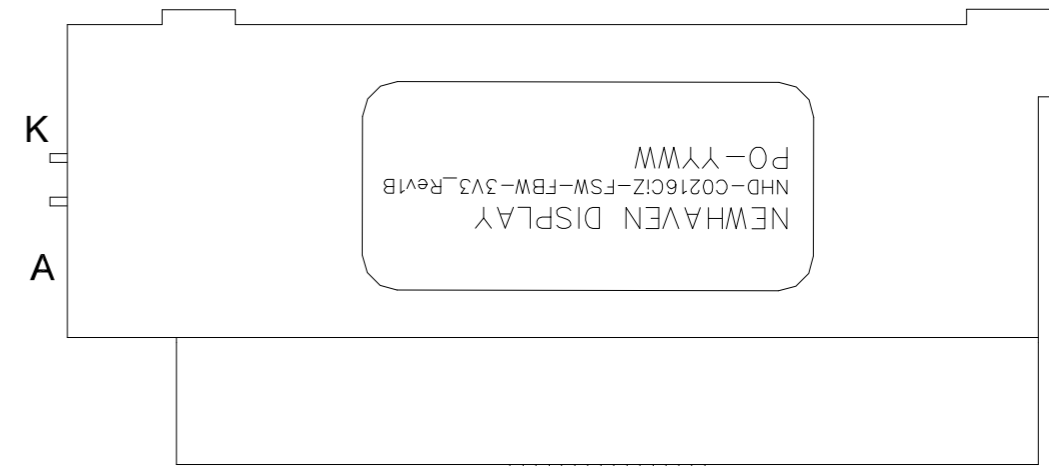
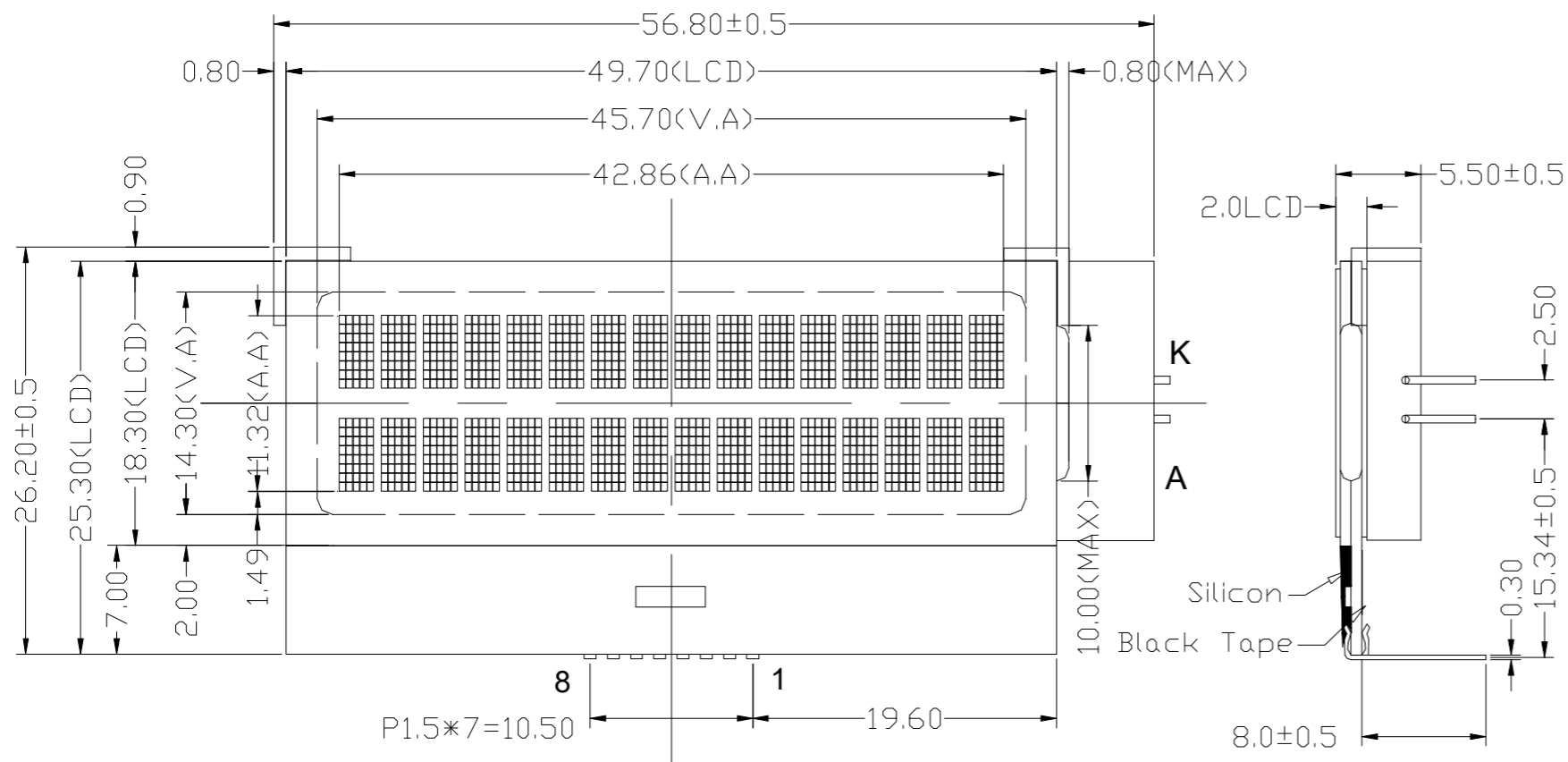
- **Support Forum:** <https://support.newhavendisplay.com/hc/en-us/community/topics>
- **GitHub:** <https://github.com/newhavendisplay>
- **Example Code:** <https://support.newhavendisplay.com/hc/en-us/categories/4409527834135-Example-Code/>
- **Knowledge Center:** https://www.newhavendisplay.com/knowledge_center.html
- **Quality Center:** https://www.newhavendisplay.com/quality_center.html
- **Precautions for using LCDs/LCMs:** <https://www.newhavendisplay.com/specs/precautions.pdf>
- **Warranty / Terms & Conditions:** <https://www.newhavendisplay.com/terms.html>



Document Revision History

Revision	Date	Description	Changed By
0	03/10/2000	Initial Release	-
1	05/14/2009	User Guide Reformat	BE
2	10/09/2009	Updated Electrical Characteristic Information	MC
3	11/05/2009	Block Diagram Update	BE
4	11/19/2009	Updated backlight current	MC
5	02/12/2010	Updated Font table	MC
6	04/18/2011	Mechanical Drawing Updated	AK
7	08/26/2011	Mechanical Drawing Updated	TJ
8	11/29/2011	Mechanical Drawing Updated	AK
9	03/30/2012	Example Initialization Program Updated	AK
10	07/22/2014	User Guide Reformat	ML
11	04/28/2016	Mechanical drawing, Electrical Characteristics, Optical Characteristics Updated	SB
12	06/07/2016	Added Pin Numbers to Mechanical Drawing	SB
13	12/01/2016	Wiring Diagram & Electrical Characteristics Updated	SB
14	05/18/2017	Backlight Characteristics Updated	SB
15	04/03/2019	Backlight Voltage & V _{LCD} Updated	SB
16	06/24/2019	Added PCB Footprint Drawing	AS
17	10/23/2020	Updated Symbol for LCD Supply Voltage	AS
18	12/14/2020	Change in Backlight Mold & Optical Characteristics Part Revision Upgraded to Rev1A	AS
19	04/30/2021	IC, Mechanical Drawing, Optical, Electrical & Font Table Updated	ZP
20	05/28/2021	Updated Mechanical Drawing & Font Table	ZP
21	07/05/2023	Updated Date Code/ Paper Label Format	KL

Mechanical Drawing



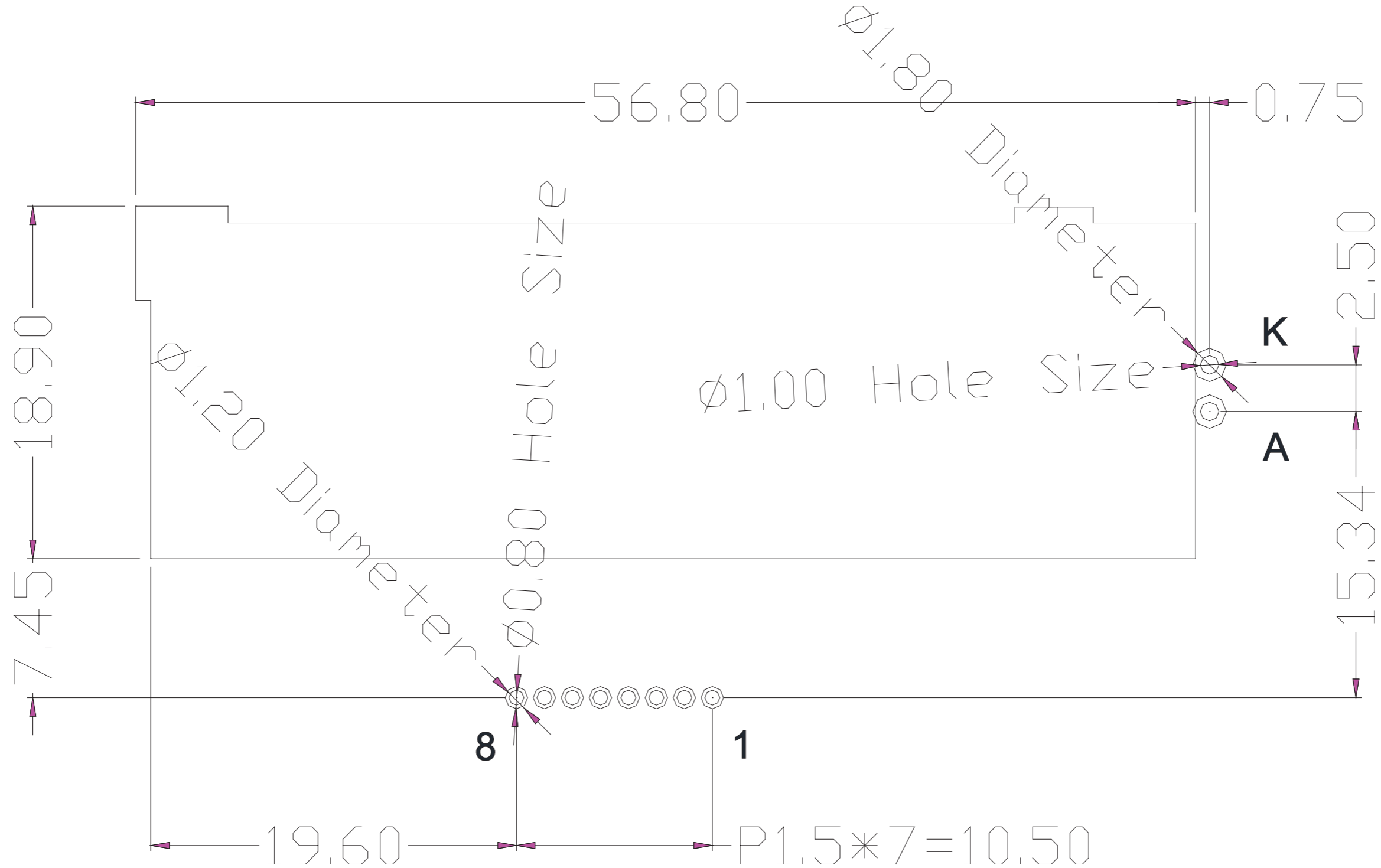
PIN	
NO	SYMBOL
1	REST
2	SCL
3	SDA
4	VSS
5	VDD
6	VOUT
7	C1+
8	C1-

Product Description: 2x16 Character COG LCD



1. Driver IC: AiP31032
2. Driving Mode: 1/16 Duty, 1/5 Bias
3. Interface: I²C
4. Power Requirement: 3.0V LCD, 2.96V/20mA Backlight
5. Optical Features: FSTN (+), Transflective, 6:00 View, White Backlight

Standard Tolerance: (Unless otherwise specified) Linear: ± 0.3 mm		
	Drawing/Part Number: NHD-C0216CiZ-FSW-FBW-3V3	Revision: 1B
Unless otherwise specified: • Dimensions are in Millimeters • Third Angle Projection	Drawn By: K. Lewis	Approved By: K. Lewis
	Drawn Date: 07/05/2023	Approved Date: 07/05/2023
This drawing is solely the property of Newhaven Display International, Inc. The information it contains is not to be disclosed, reproduced or copied in whole or part without written approval from Newhaven Display.		

Recommended PCB Footprint



Applicable Displays:
1) NHD-C0216CiZ-FSW-FBW-3V3

Standard Tolerance: (Unless otherwise specified) Linear: $\pm 0.3\text{mm}$		
	Drawing/Part Number: NHD-C0216CiZ-Footprint	Revision: 1.0
Unless otherwise specified: • Dimensions are in Millimeters • Third Angle Projection 	Drawn By: K.Lewis Drawn Date: 07/05/2023	Approved By: K. Lewis Approved Date: 07/05/2023
	This drawing is solely the property of Newhaven Display International, Inc. The information it contains is not to be disclosed, reproduced or copied in whole or part without written approval from Newhaven Display.	

Pin Description

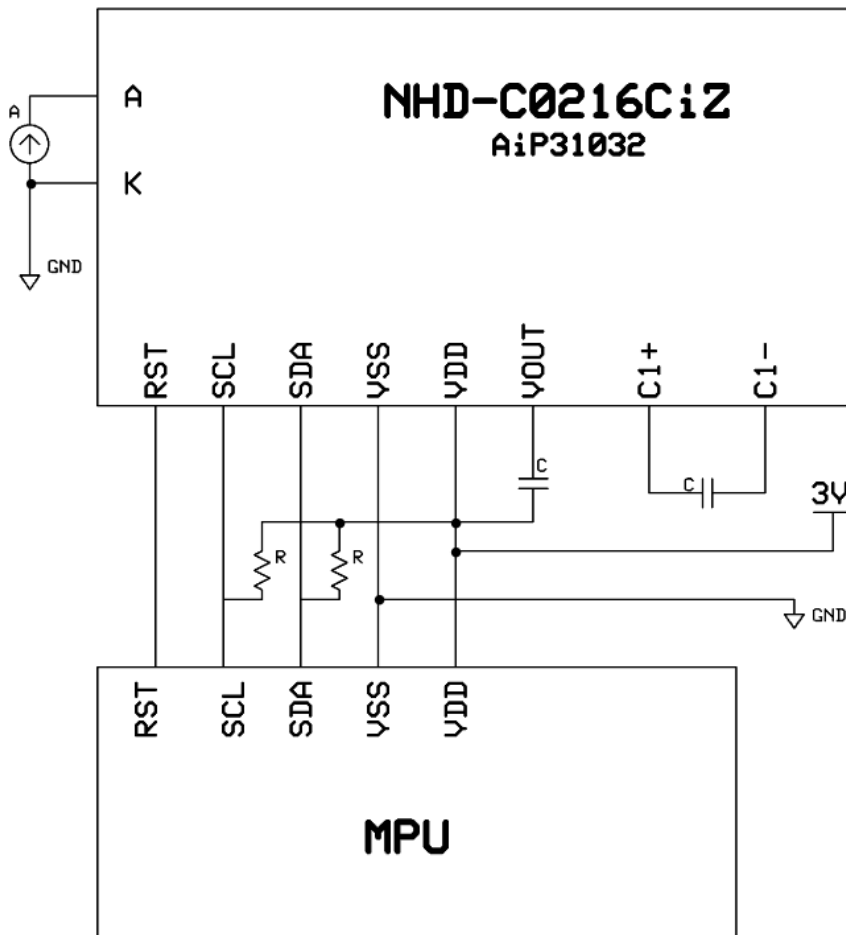
Pin No.	Symbol	External Connection	Function Description
1	RST	MPU	Active LOW Reset signal
2	SCL	MPU	Serial Clock input
3	SDA	MPU	Serial Data input
4	V _{SS}	Power Supply	Ground
5	V _{DD}	Power Supply	Supply Voltage for LCD and Logic (3.0V)
6	VO _{UT}	Power Supply	Connect to 0.47~2.2 μ F capacitor to V _{DD}
7	C1+	CAP	Connect to 0.1~1 μ F cap to PIN8
8	C1-	CAP	Connect to 0.1~1 μ F cap to PIN7
A	LED+	Power Supply	Backlight Anode (20 mA @ 3V)
K	LED-	Power Supply	Backlight Cathode (Ground)

Recommended LCD connector: 1.5mm Pitch LCD pins should be soldered directly onto thru-hole connection on PCB

Backlight connector: Backlight pins should be soldered directly onto thru-hole connection on PCB

Recommended Breakout Board: [NHD-PCB40](#)

Wiring Diagram



C = 1 μ F

R = 4.7k Ω – 10k Ω

Electrical Characteristics

Item	Symbol	Condition	Min.	Typ.	Max.	Unit
Operating Temperature Range	T _{OP}	Absolute Max	-20	-	+70	°C
Storage Temperature Range	T _{ST}	Absolute Max	-30	-	+80	°C
Supply Voltage	V _{DD}	-	2.7	3.0	3.3	V
Supply Current	I _{DD}	V _{DD} = 3.0V	0.1	0.3	0.5	mA
Supply for LCD (Contrast)	V _{LCD}	T _{OP} = 25°C	4.8	5.0	5.2	V
"H" Level input	V _{IH}	-	2.2	-	V _{DD}	V
"L" Level input	V _{IL}	-	0	-	0.6	V
"H" Level output	V _{OH}	-	2.4	-	V _{DD}	V
"L" Level output	V _{OL}	-	GND	-	0.4	V
Backlight Supply Current	I _{LED}	-	10	20	30	mA
Backlight Supply Voltage	V _{LED}	I _{LED} = 20mA	2.88	2.96	3.12	V

*The LED of the backlight is driven by current drain; drive voltage is for reference only. Drive voltage must be selected to ensure backlight current drain is below MAX level stated.

Optical Characteristics

Item	Symbol	Condition	Min.	Typ.	Max.	Unit
Optimal Viewing Angles	Top	CR ≥ 2	30	40	-	°
	Bottom		50	60	-	°
	Left		50	60	-	°
	Right		50	60	-	°
Contrast Ratio	CR	-	2	5	-	-
Response Time (Rise)	T _R	T _{OP} = 25°C	-	150	250	ms
Response Time (Fall)	T _F		-	200	300	ms

Controller Information

Built-in AiP31032 Controller: <https://support.newhavendisplay.com/hc/en-us/articles/4414489955351-AiP31032>



Slave Address = 0x7C

Write mode

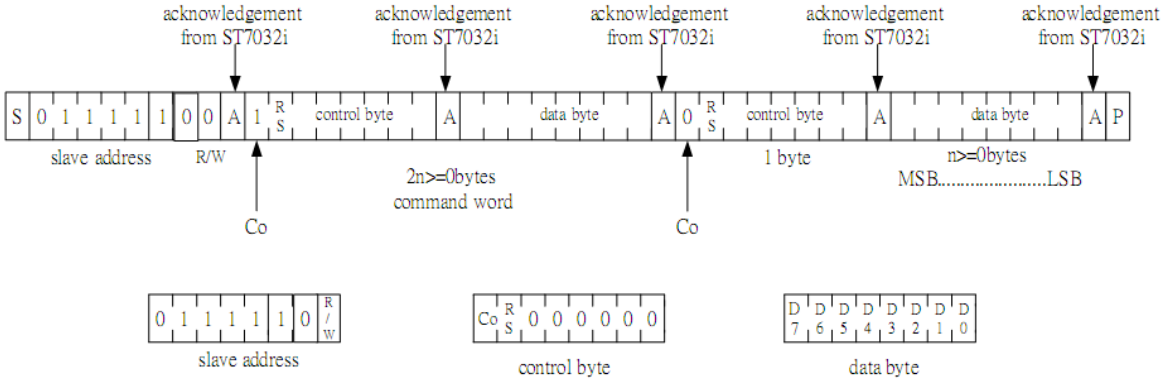
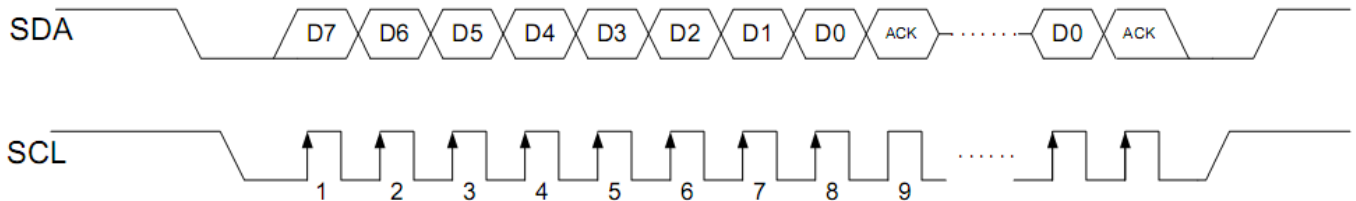


Figure 5. 2-line Interface protocol

Co	0	Last control byte to be sent. Only a stream of data bytes is allowed to follow. This stream may only be terminated by a STOP condition.
	1	Another control byte will follow the data byte unless a STOP condition is received.



Display Position		1	2	3	4	5	6	38	39	40
DDRAM Address (hexadecimal)		00	01	02	03	04	05	25	26	27
		40	41	42	43	44	45	65	66	67

Table of Commands

➤ instruction table at "Extension mode"

(when "EXT" option pin connect to Vss, the instruction set follow below table)

Instruction	Instruction Code										Description	Instruction Execution Time			
	RS	R/W	DB7	DB6	DB5	DB4	DB3	DB2	DB1	DB0		OSC=380KHz	OSC=540KHz	OSC=700KHz	
Clear Display	0	0	0	0	0	0	0	0	0	1	Write "20H" to DDRAM. and set DDRAM address to "00H" from AC	1.08 ms	0.76 ms	0.59 ms	
Return Home	0	0	0	0	0	0	0	0	0	1	x	Set DDRAM address to "00H" from AC and return cursor to its original position if shifted. The contents of DDRAM are not changed.	1.08 ms	0.76 ms	0.59 ms
Entry Mode Set	0	0	0	0	0	0	0	1	I/D	S		Sets cursor move direction and specifies display shift. These operations are performed during data write and read.	26.3 us	18.5 us	14.3 us
Display ON/OFF	0	0	0	0	0	0	1	D	C	B		D=1:entire display on C=1:cursor on B=1:cursor position on	26.3 us	18.5 us	14.3 us
Function Set	0	0	0	0	1	DL	N	DH	*0	IS		DL: interface data is 8/4 bits N: number of line is 2/1 DH: double height font IS: instruction table select	26.3 us	18.5 us	14.3 us
Set DDRAM address	0	0	1	AC6	AC5	AC4	AC3	AC2	AC1	AC0		Set DDRAM address in address counter	26.3 us	18.5 us	14.3 us

Instruction table 0(IS=0)															
Cursor or Display Shift	0	0	0	0	0	1	S/C	R/L	x	x		S/C and R/L: Set cursor moving and display shift control bit, and the direction, without changing DDRAM data.	26.3 us	18.5 us	14.3 us
Set CGRAM	0	0	0	1	AC5	AC4	AC3	AC2	AC1	AC0		Set CGRAM address in address counter	26.3 us	18.5 us	14.3 us

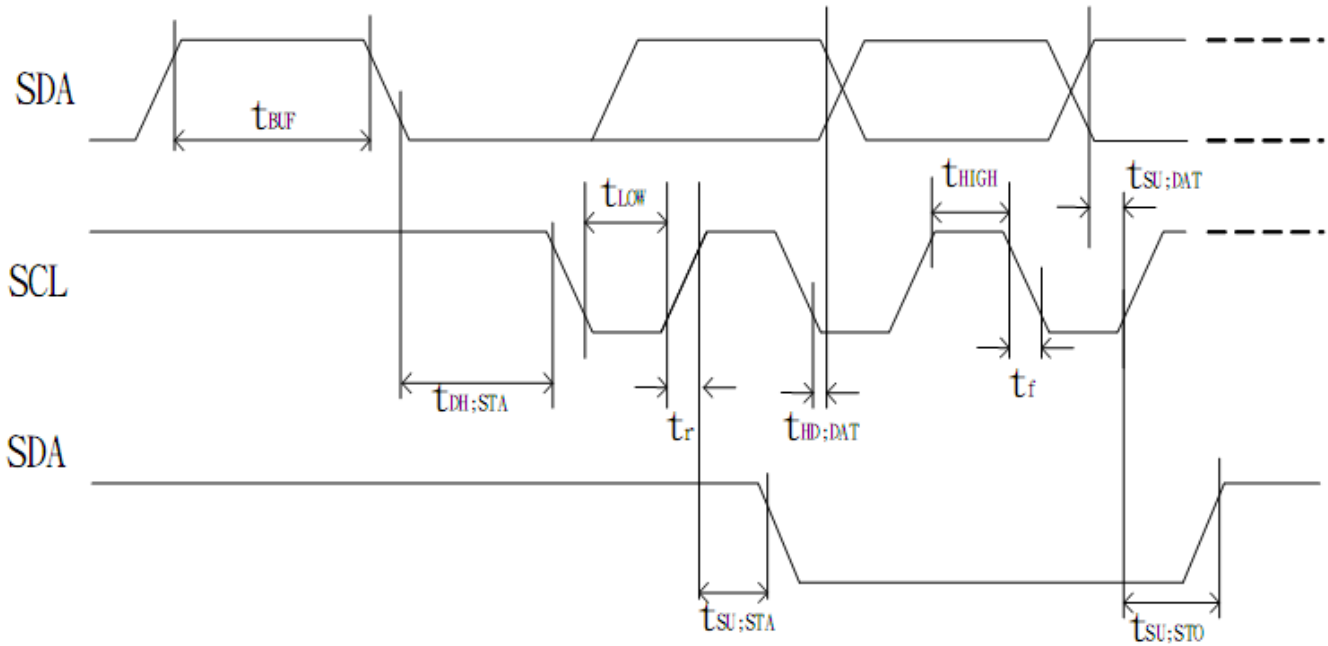
Instruction table 1(IS=1)															
Internal OSC frequency	0	0	0	0	0	1	BS	F2	F1	F0		BS=1:1/4 bias BS=0:1/5 bias F2~0: adjust internal OSC frequency for FR frequency.	26.3 us	18.5 us	14.3 us
Set ICON address	0	0	0	1	0	0	AC3	AC2	AC1	AC0		Set ICON address in address counter.	26.3 us	18.5 us	14.3 us
Power/ICON control/Contrast set	0	0	0	1	0	1	Ion	Bon	C5	C4		Ion: ICON display on/off Bon: set booster circuit on/off C5,C4: Contrast set for internal follower mode.	26.3 us	18.5 us	14.3 us
Follower control	0	0	0	1	1	0	Fon	Rab2	Rab1	Rab0		Fon: set follower circuit on/off Rab2~0: select follower amplified ratio.	26.3 us	18.5 us	14.3 us
Contrast set	0	0	0	1	1	1	C3	C2	C1	C0		Contrast set for internal follower mode.	26.3 us	18.5 us	14.3 us

Timing Characteristics

(Ta = -30°C to 85°C)

Item	Signal	Symbol	Condition	VDD=2.7 to 4.5V Rating		VDD=4.5 to 5.5V Rating		Units
				Min.	Max.	Min.	Max.	
SCL clock frequency	SCL	f_{SCLK}	—	DC	400	DC	400	KHz
SCL clock low period		t_{LOW}		1.3	—	1.3	—	us
SCL clock high period		t_{HIGH}		0.6	—	0.6	—	
Data set-up time	SI	$t_{SU;DAT}$	—	180	—	100	—	ns
Data hold time		$t_{HD;DAT}$		0	0.9	0	0.9	us
SCL,SDA rise time	SCL, SDA	t_r	—	$20+0.1C_b$	300	$20+0.1C_b$	300	ns
SCL,SDA fall time		t_f		$20+0.1C_b$	300	$20+0.1C_b$	300	
Capacitive load represent by each bus line		C_b	—	—	400	—	400	pf
Setup time for a repeated START condition	SI	$t_{SU;STA}$	—	0.6	—	0.6	—	us
Start condition hold time		$t_{HD;STA}$	—	0.6	—	0.6	—	us
Setup time for STOP condition		$t_{SU;STO}$	—	0.6	—	0.6	—	us
Bus free time between a Stop and START condition	SCL	t_{BUF}	—	1.3	—	1.3	—	us

● I2C interface



Built-In Font Table

OPR1, OPR2 = (0,0)

b7-b4 b3-b0	0000	0001	0010	0011	0100	0101	0110	0111	1000	1001	1010	1011	1100	1101	1110	1111
0000	À	Á	Â	Ã	Ä	Å	Æ	Ç	È	É	Ê	Ë	Ì	Í	Î	Ï
0001	Ð	Ñ	Ò	Ó	Ô	Õ	Ö	×	¸	¹	º	»	¼	½	¾	¿
0010	À	Á	Â	Ã	Ä	Å	Æ	Ç	È	É	Ê	Ë	Ì	Í	Î	Ï
0011	Ð	Ñ	Ò	Ó	Ô	Õ	Ö	×	¸	¹	º	»	¼	½	¾	¿
0100	À	Á	Â	Ã	Ä	Å	Æ	Ç	È	É	Ê	Ë	Ì	Í	Î	Ï
0101	Ð	Ñ	Ò	Ó	Ô	Õ	Ö	×	¸	¹	º	»	¼	½	¾	¿
0110	À	Á	Â	Ã	Ä	Å	Æ	Ç	È	É	Ê	Ë	Ì	Í	Î	Ï
0111	Ð	Ñ	Ò	Ó	Ô	Õ	Ö	×	¸	¹	º	»	¼	½	¾	¿
1000	À	Á	Â	Ã	Ä	Å	Æ	Ç	È	É	Ê	Ë	Ì	Í	Î	Ï
1001	Ð	Ñ	Ò	Ó	Ô	Õ	Ö	×	¸	¹	º	»	¼	½	¾	¿
1010	À	Á	Â	Ã	Ä	Å	Æ	Ç	È	É	Ê	Ë	Ì	Í	Î	Ï
1011	Ð	Ñ	Ò	Ó	Ô	Õ	Ö	×	¸	¹	º	»	¼	½	¾	¿
1100	À	Á	Â	Ã	Ä	Å	Æ	Ç	È	É	Ê	Ë	Ì	Í	Î	Ï
1101	Ð	Ñ	Ò	Ó	Ô	Õ	Ö	×	¸	¹	º	»	¼	½	¾	¿
1110	À	Á	Â	Ã	Ä	Å	Æ	Ç	È	É	Ê	Ë	Ì	Í	Î	Ï
1111	Ð	Ñ	Ò	Ó	Ô	Õ	Ö	×	¸	¹	º	»	¼	½	¾	¿

Replaced By CGRAM Pattern



Example Initialization Program

```

/*****/
void I2C_out(unsigned char j)          //I2C Output
{
    int n;
    unsigned char d;
    d=j;
    for(n=0;n<8;n++){
        if((d&0x80)==0x80)
            SDA=1;
        else
            SDA=0;
        d=(d<<1);
        SCL = 0;
        SCL = 1;
        SCL = 0;
    }
    SCL = 1;
    while(SDA==1){
        SCL=0;
        SCL=1;
    }
    SCL=0;
}
/*****/
void I2C_Start(void)
{
    SCL=1;
    SDA=1;
    SDA=0;
    SCL=0;
}
/*****/
void I2C_Stop(void)
{
    SDA=0;
    SCL=0;
    SCL=1;
    SDA=1;
}
/*****/
void Show(unsigned char *text)
{
    int n;
    I2C_Start();
    I2C_out(Slave);
    I2C_out(Datasend);
    for(n=0;n<16;n++){
        I2C_out(*text);
        ++text;
    }
    I2C_Stop();
}
/*****/

```

```
*      Initialization For ST7032i      *
*****/
void init_LCD()
{
I2C_Start();
I2C_out(0x7C);
I2C_out(0x00);
I2C_out(0x38);
delay(10);
I2C_out(0x39);
delay(10);
I2C_out(0x14);
I2C_out(0x78);
I2C_out(0x5E);
I2C_out(0x6D);
I2C_out(0x0C);
I2C_out(0x01);
I2C_out(0x06);
delay(10);
I2C_stop();
}
*****/
```

Quality Information

Test Item	Content of Test	Test Condition	Note
High Temperature storage	Endurance test applying the high storage temperature for a long time.	+80°C , 48hrs	2
Low Temperature storage	Endurance test applying the low storage temperature for a long time.	-30°C , 48hrs	1,2
High Temperature Operation	Endurance test applying the electric stress (voltage & current) and the high thermal stress for a long time.	+70°C , 48hrs	2
Low Temperature Operation	Endurance test applying the electric stress (voltage & current) and the low thermal stress for a long time.	-20°C , 48hrs	1,2
High Temperature / Humidity Storage	Endurance test applying the electric stress (voltage & current) and the high thermal with high humidity stress for a long time.	+40°C , 90% RH , 48hrs	1,2
Thermal Shock resistance	Endurance test applying the electric stress (voltage & current) during a cycle of low and high thermal stress.	0°C,30min -> 25°C,5min -> 50°C,30min = 1 cycle 10 cycles	
Vibration test	Endurance test applying vibration to simulate transportation and use.	10-55Hz , 15mm amplitude. 60 sec in each of 3 directions X,Y,Z For 15 minutes	3
Static electricity test	Endurance test applying electric static discharge.	VS=800V, RS=1.5kΩ, CS=100pF One time	

Note 1: No condensation to be observed.

Note 2: Conducted after 4 hours of storage at 25°C, 0%RH.

Note 3: Test performed on product itself, not inside a container.