

Product Specification

NHD-2.4-240320CF-CTXI#-F

TFT (Thin-Film Transistor) Liquid Crystal Display Module

NHD-	Newhaven Display
2.4-	2.4" Diagonal
240320-	240 x 320 Pixels (Portrait Mode)
CF-	Model
C-	Built-in Controller
T-	White LED Backlight
X-	TFT
I-	6:00 Optimal View, Wide Temperature
#-	RoHS Compliant
F-	FFC ZIF Connection Style

Table of Contents

Document Revision History.....	2
Mechanical Drawing	3
Pin Description	4
Wiring Diagram	5
Electrical Characteristics	6
Optical Characteristics	6
Controller Information.....	6
Table of Commands.....	6
Timing Characteristics.....	7
Example Initialization Code.....	9
Quality Information	11

Additional Resources

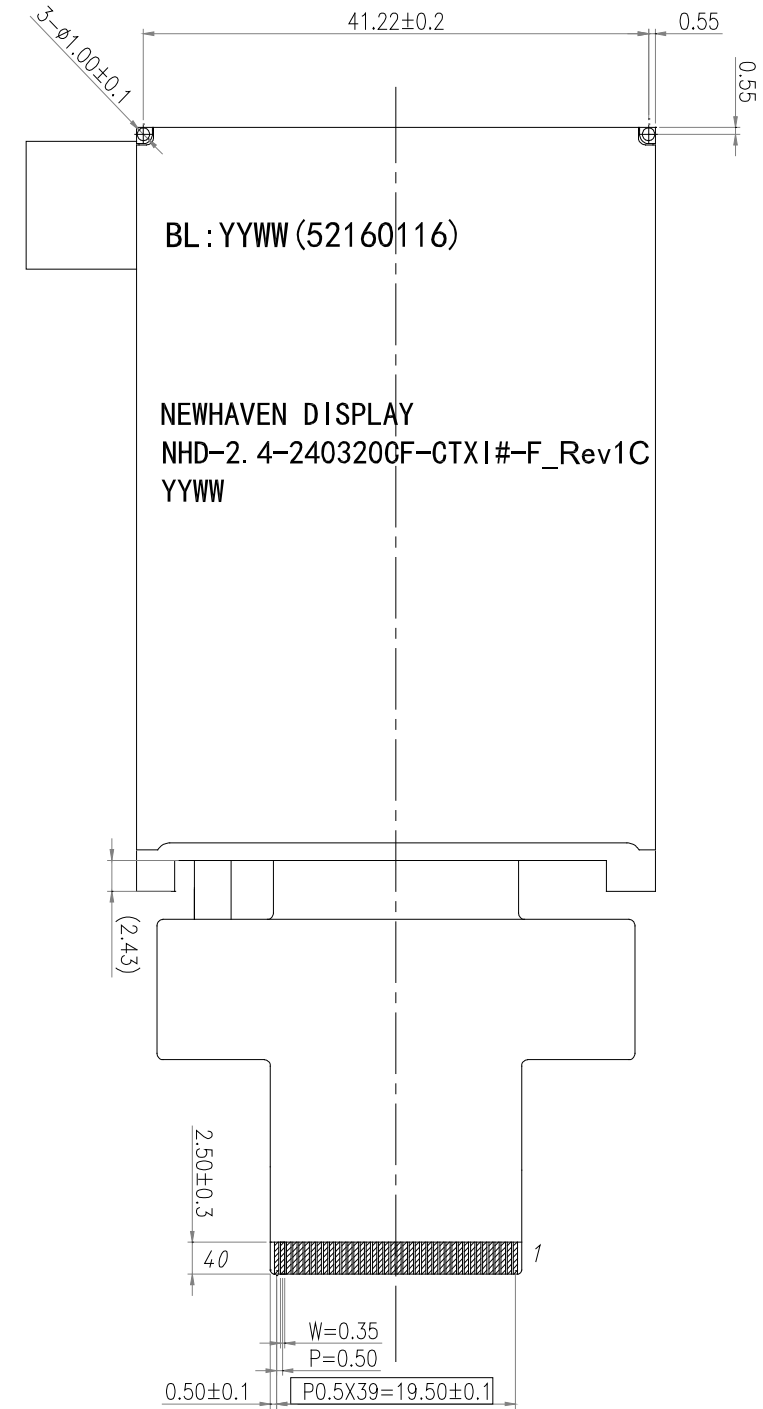
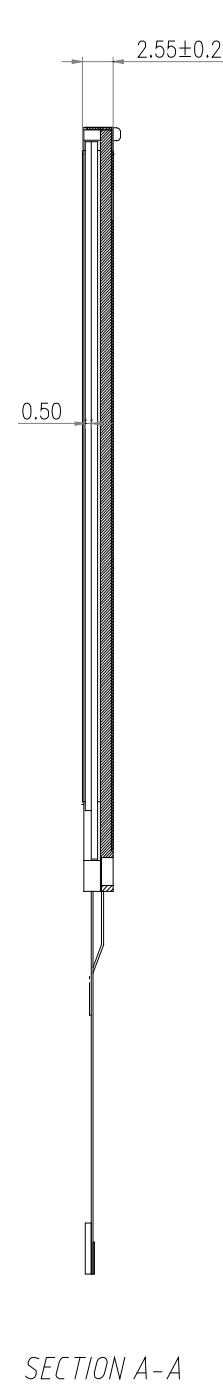
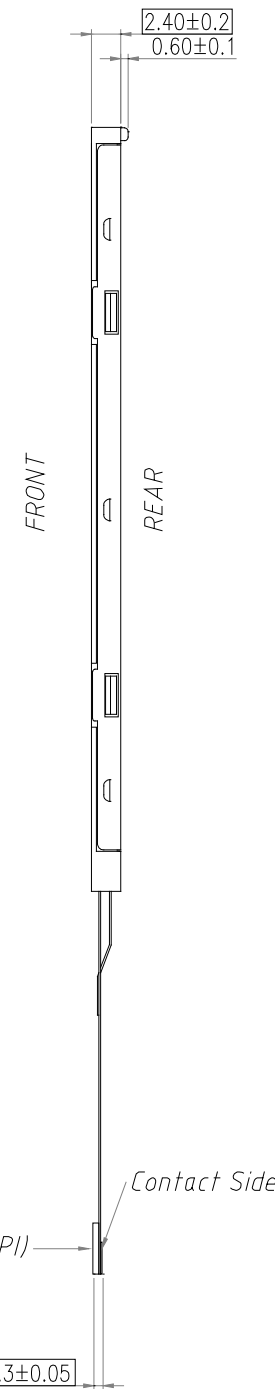
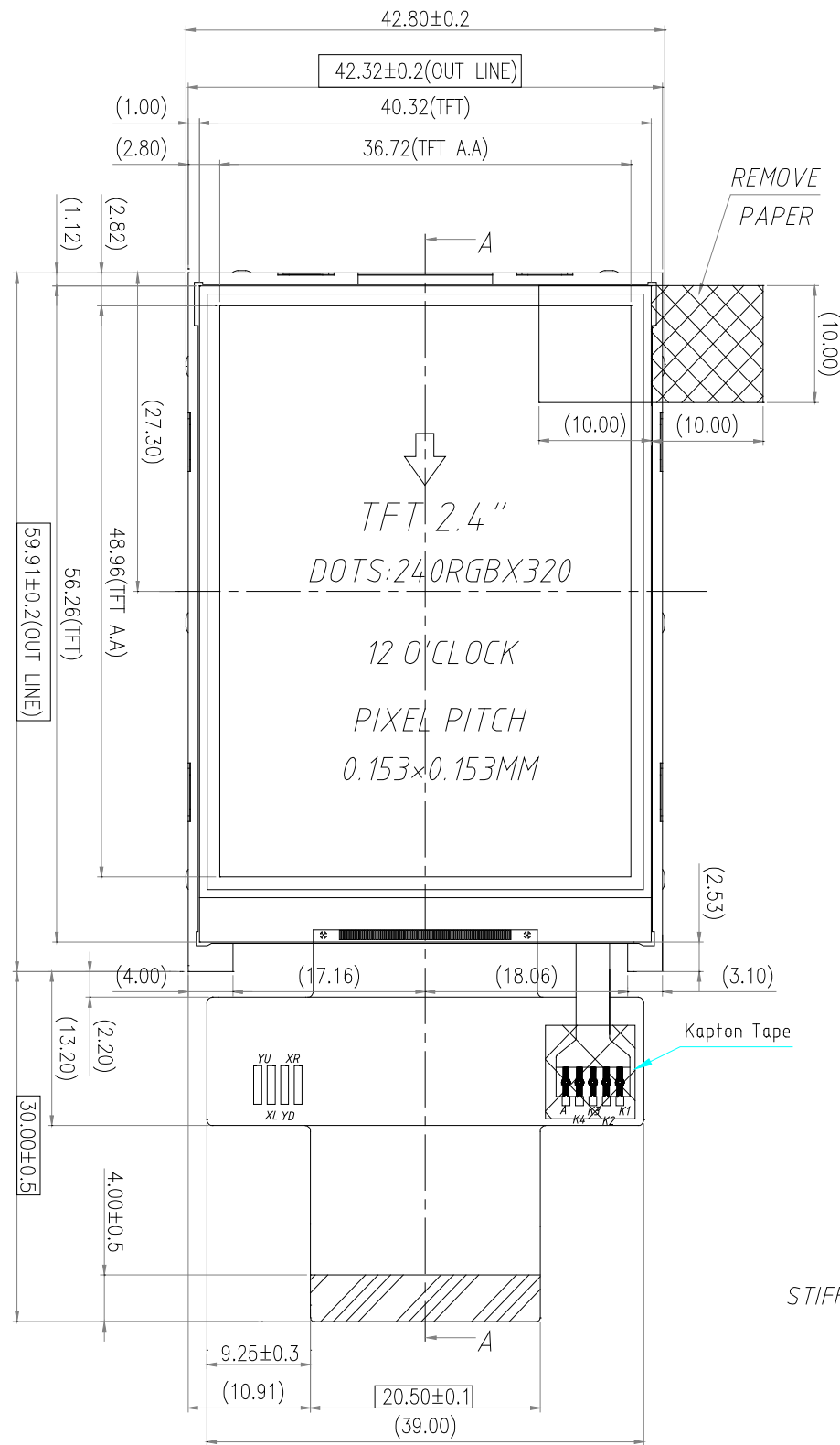
- **Support Forum:** <https://support.newhavendisplay.com/hc/en-us/community/topics>
- **GitHub:** <https://github.com/newhavendisplay>
- **Example Code:** <https://support.newhavendisplay.com/hc/en-us/categories/4409527834135-Example-Code/>
- **Knowledge Center:** https://www.newhavendisplay.com/knowledge_center.html
- **Quality Center:** https://www.newhavendisplay.com/quality_center.html
- **Precautions for using LCDs/LCMs:** <https://www.newhavendisplay.com/specs/precautions.pdf>
- **Warranty / Terms & Conditions:** <https://www.newhavendisplay.com/terms.html>



Document Revision History

Revision	Date	Description	Changed By
0	12/09/2014	Initial Release	AK
1	03/10/2015	Luminance Rating Updated	AK
2	10/01/2015	Mechanical Drawing, Supply Voltage and Supply Current Updated	SB
3	03/18/2016	Datasheet Reformat, Added Backlight Lifetime	SB
4	04/07/2016	Viewing Angle Clarification	SB
5	06/03/2016	Updated Brightness Rating	SB
6	02/07/2017	Bezel Redesign & Supply Current Updated	SB
7	05/09/2018	Updated for New Controller	TM
8	08/23/2019	Interface Information Updated (8080-II)	SM
9	02/25/2020	Updated Electrical Characteristics	TM
10	03/03/2020	Backlight Design Updated, Updated Electrical Characteristics	SB
11	03/31/2021	Updated Alignment Tab Length + Tolerance on 2D Mechanical Drawing	AS
12	01/23/2023	Document Formatting Updated	KL
13	05/16/2023	Date Code Format Updated on Mechanical Drawing	KL

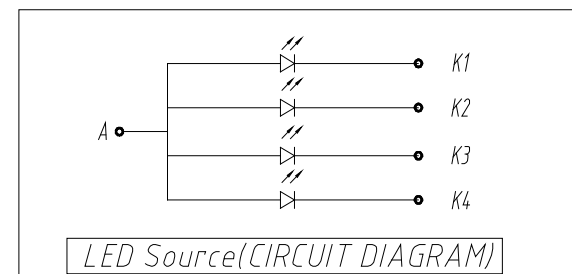
Mechanical Drawing



No:	PIN NAME
1	GND
2	NC
3	NC
4	NC
5	NC
6	NC
7	VDD
8	IOVDD
9	NC
10	/CS
11	D/C
12	/WR
13	/RD
14	DB0
15	DB1
16	DB2
17	DB3
18	DB4
19	DB5
20	DB6
21	DB7
22	DB8
23	DB9
24	DB10
25	DB11
26	DB12
27	DB13
28	DB14
29	DB15
30	/RES
31	IM0
32	NC
33	GND
34	LED-K1
35	LED-K2
36	LED-K3
37	LED-K4
38	LED-A
39	GND
40	NC

Product Description: 2.4" 240x320 TFT

1. Driver IC: ST7789VI TFT
2. Interface: 8/16-bit Parallel
3. Power Requirement: 3.3V TFT, 3.1V/80mA Backlight
4. Optical Features: Normally White, Transmissive, Anti-Glare, 350cd/m²
5. Recommended FFC Connector: 40pin 0.5mm pitch; Ex. Molex 54132-4062



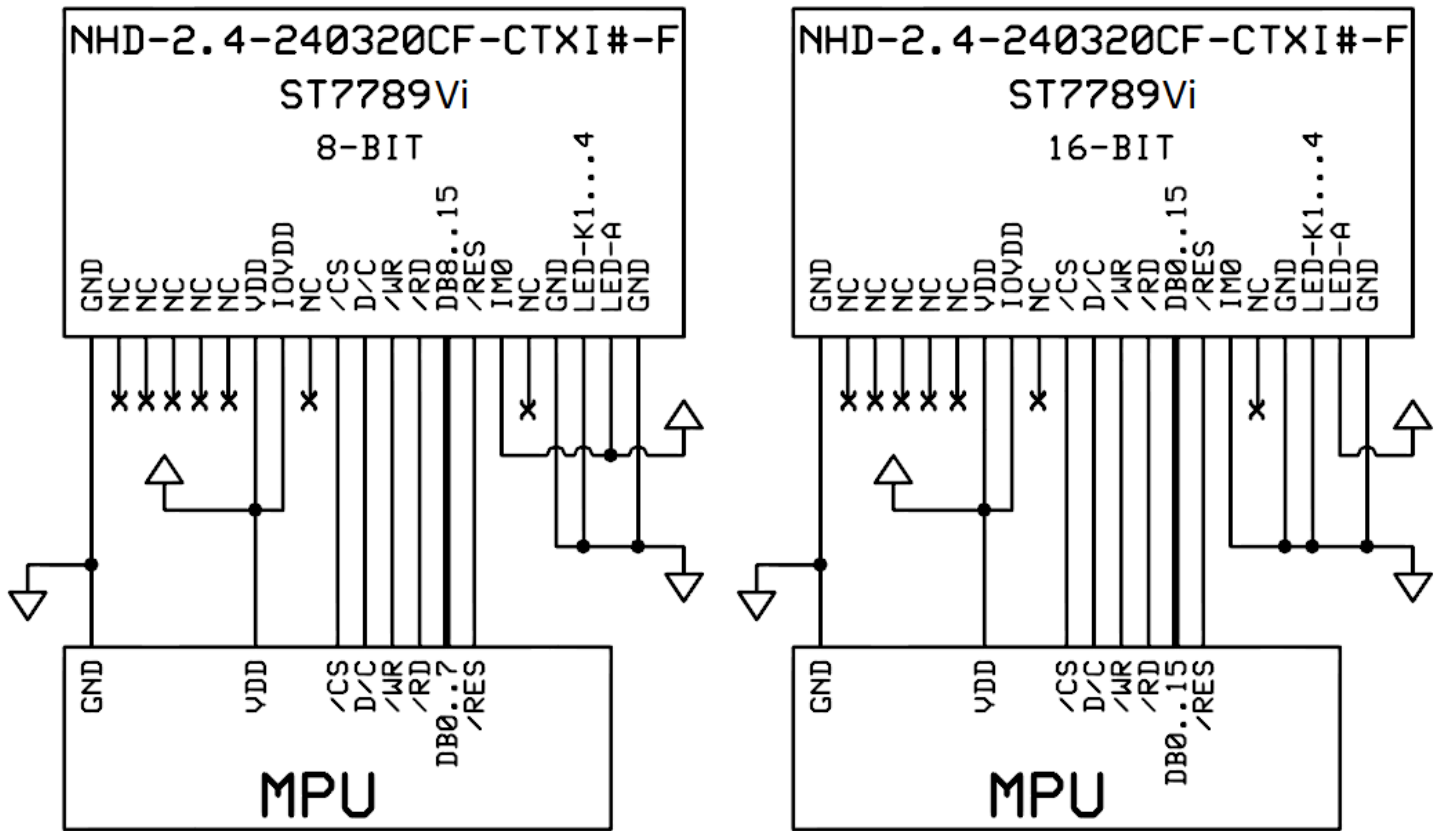
Standard Tolerance: (Unless otherwise specified) Linear: ±0.3mm		
	Drawing/Part Number: NHD-2.4-240320CF-CTXI#-F	Revision: 1C
Unless otherwise specified: • Dimensions are in Millimeters • Third Angle Projection	Drawn By: K. Lewis	Approved By: K. Lewis
	Drawn Date: 05/16/2023	Approved Date: 05/16/2023
This drawing is solely the property of Newhaven Display International, Inc. The information it contains is not to be disclosed, reproduced or copied in whole or part without written approval from Newhaven Display.		

Pin Description

Pin No.	Symbol	External Connection	Function Description
1	GND	Power Supply	Ground
2	NC	-	No Connect
3	NC	-	No Connect
4	NC	-	No Connect
5	NC	-	No Connect
6	NC	-	No Connect
7	V _{DD}	Power Supply	Supply Voltage for LCD (3.3)
8	IOV _{DD}	Power Supply	Supply Voltage for Logic (1.8V, can tie to V _{DD})
9	NC	-	No Connect
10	/CS	MPU	Active LOW Chip Select signal (can tie to GND)
11	D/C	MPU	Data / Command selection: '1' = Data; '0' = Command
12	/WR	MPU	Active LOW Write signal
13	/RD	MPU	Active LOW Read signal
14	DB0	MPU	Bi-directional data bus 8-bit: use DB8-DB15 16-bit: use DB0-DB15
15	DB1	MPU	
16	DB2	MPU	
17	DB3	MPU	
18	DB4	MPU	
19	DB5	MPU	
20	DB6	MPU	
21	DB7	MPU	
22	DB8	MPU	
23	DB9	MPU	
24	DB10	MPU	
25	DB11	MPU	
26	DB12	MPU	
27	DB13	MPU	
28	DB14	MPU	
29	DB15	MPU	
30	/RES	MPU	Active LOW Reset signal
31	IM0	MPU	IM0=0: 16-bit (8080-II) IM0=1: 8-bit (8080-II)
32	NC	-	No Connect
33	GND	Power Supply	Ground
34	LED-K1	Power Supply	Backlight Cathode (Ground)
35	LED-K2	Power Supply	Backlight Cathode (Ground)
36	LED-K3	Power Supply	Backlight Cathode (Ground)
37	LED-K4	Power Supply	Backlight Cathode (Ground)
38	LED-A	Power Supply	Backlight Anode (3.1V)
39	GND	Power Supply	Ground
40	NC	-	No Connect

Recommended LCD connector: 40-pin, 0.5mm pitch FFC connector **Molex P/N:** 54132-4062 or similar

Wiring Diagram



Electrical Characteristics

Item	Symbol	Condition	Min.	Typ.	Max.	Unit
Operating Temperature Range	T _{OP}	Absolute Max	-20	-	+70	°C
Storage Temperature Range	T _{ST}	Absolute Max	-30	-	+80	°C
Supply Voltage for LCD	V _{DD}	-	2.4	3.3	3.6	V
Supply Voltage for Logic	IOV _{DD}	-	1.65	1.8	3.6	V
Supply Current	I _{DD}	V _{DD} =3.3V	2	6	12	mA
"H" Level input	V _{IH}	-	0.7 * V _{DD}	-	V _{DD}	V
"L" Level input	V _{IL}	-	V _{SS}	-	0.3 * V _{DD}	V
"H" Level output	V _{OH}	-	0.8 * V _{DD}	-	V _{DD}	V
"L" Level output	V _{OL}	-	V _{SS}	-	0.2 * V _{DD}	V
Backlight Supply Current	I _{LED}	-	-	80	100	mA
Backlight Supply Voltage	V _{LED}	I _{LED} = 80 mA	2.8	3.1	3.5	V
Backlight Lifetime*	-	T _{OP} = 25° C	20,000	50,000	-	Hrs.

*Backlight lifetime is rated as Hours until **half-brightness**, under normal operating conditions. The LED of the backlight is driven by current drain; drive voltage is for reference only. Drive voltage must be selected to ensure backlight current drain is below MAX level stated

Optical Characteristics

Item		Symbol	Condition	Min.	Typ.	Max.	Unit
Optimal Viewing Angles	Top	φY+	CR ≥ 10	-	50	-	°
	Bottom	φY-		-	55	-	°
	Left	θX-		-	55	-	°
	Right	θX+		-	55	-	°
Contrast Ratio		CR	-	150	200	-	-
Luminance		L _V	I _{LED} = 80 mA	252	350	448	cd/m ²
Response Time	Rise	T _R	T _{OP} = 25° C	-	4	8	ms
	Fall	T _F		-	12	24	ms
Chromaticity	Red	X _R	T _{OP} = 25° C θX = 0° φY = 0°	0.531	0.561	0.591	-
		Y _R		0.314	0.334	0.374	-
	Green	X _G		0.291	0.319	0.351	-
		Y _G		0.524	0.564	0.614	-
	Blue	X _B		0.112	0.142	0.162	-
		Y _B		0.051	0.081	0.112	-
	White	X _W		0.251	0.291	0.331	-
		Y _W		0.271	0.311	0.351	-

Controller Information

Built-in ST7789VI Controller: <https://support.newhavendisplay.com/hc/en-us/articles/10814990300823-ST7789VI>

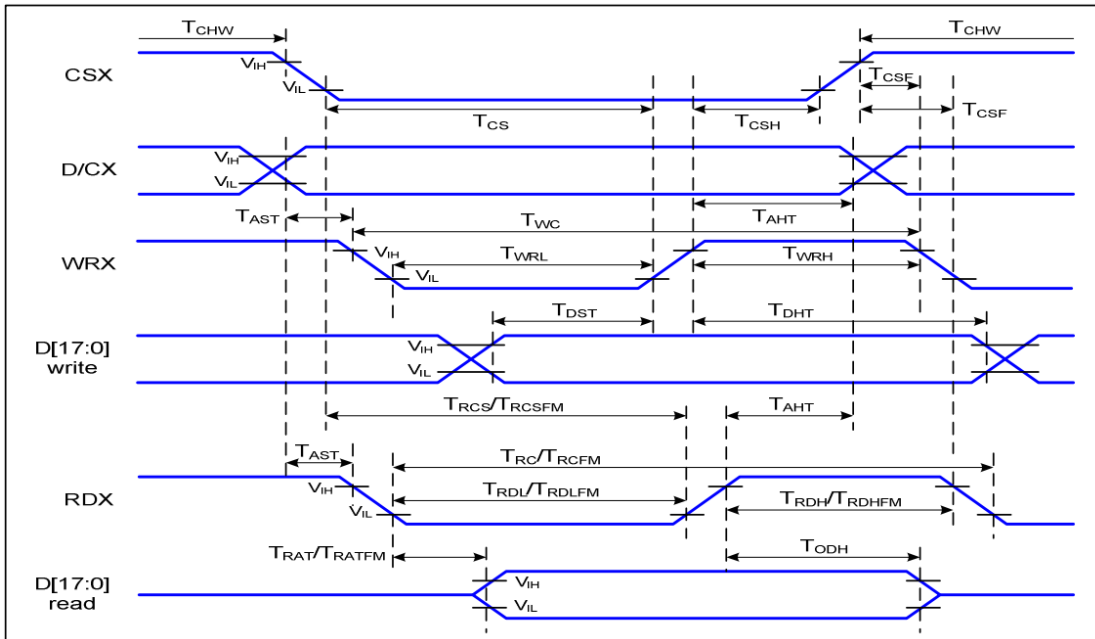
Table of Commands

Please download specification at: <https://support.newhavendisplay.com/hc/en-us/articles/10814990300823-ST7789VI>



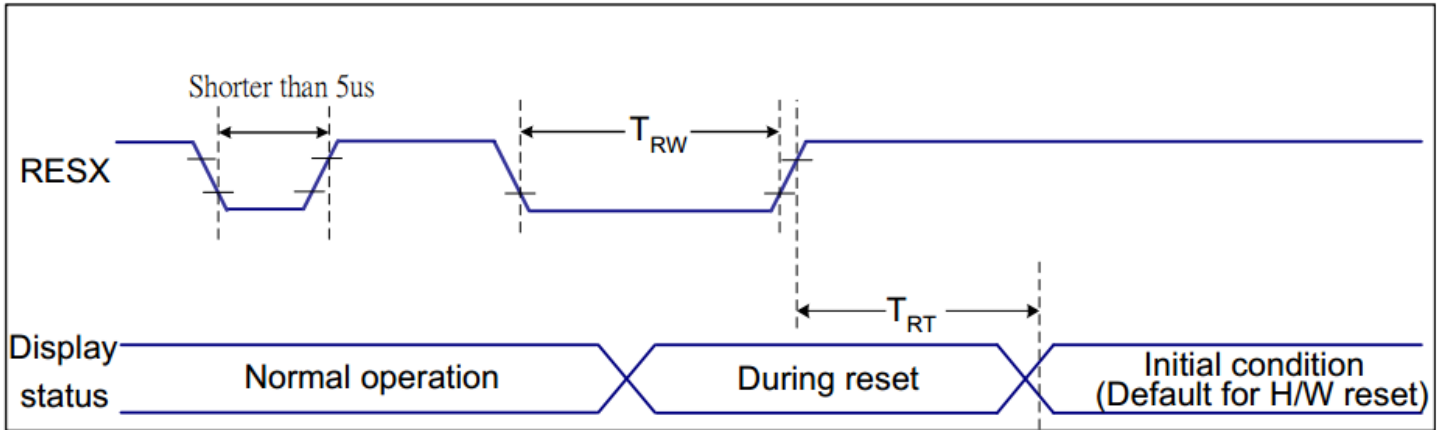
Timing Characteristics

Parallel 16/8-bit Interface Timing Characteristics (8080-II system)



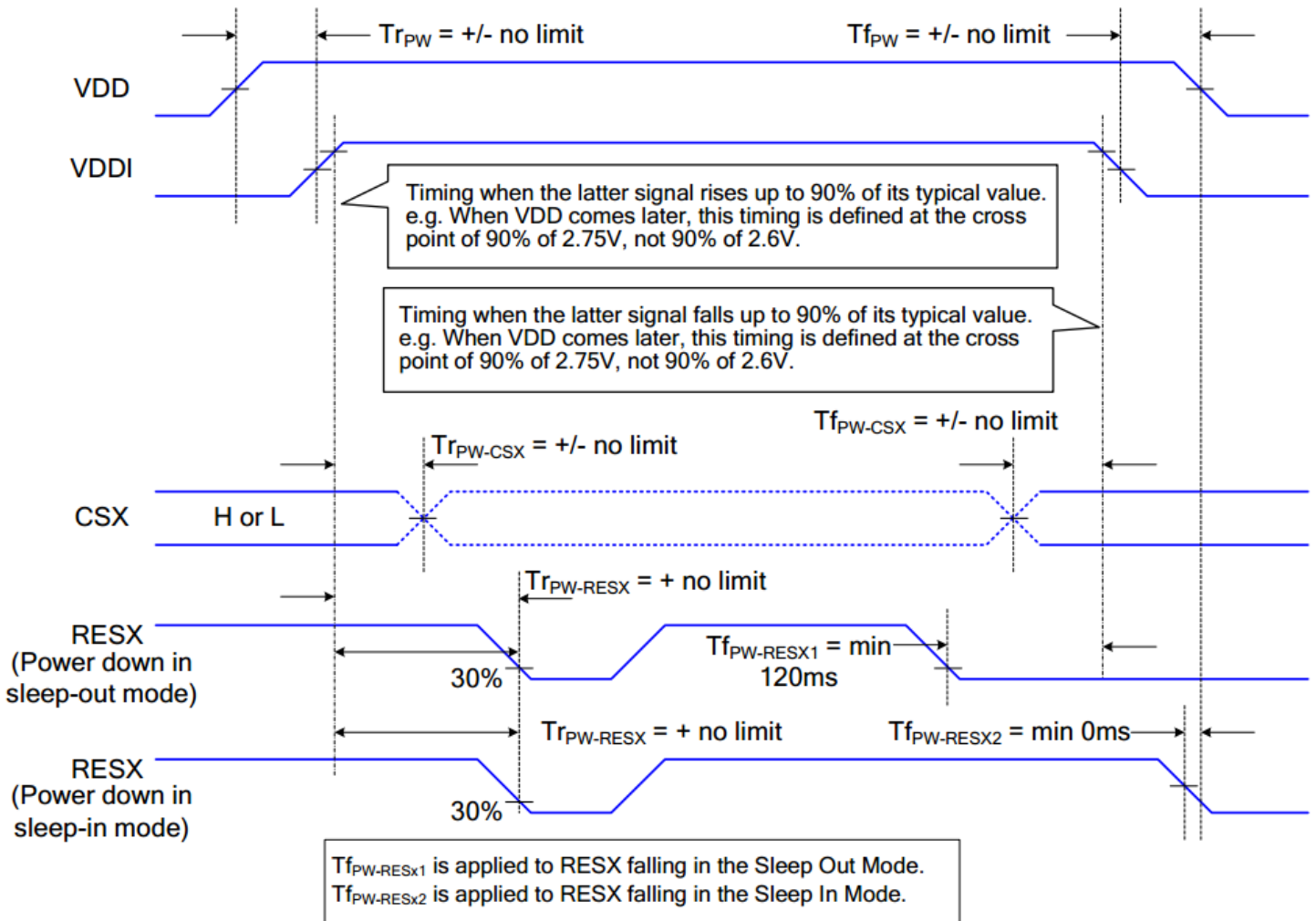
Signal	Symbol	Parameter	Min	Max	Unit	Description
D/CX	T_{AST}	Address setup time	0		ns	-
	T_{AHT}	Address hold time (Write/Read)	10		ns	
CSX	T_{CHW}	Chip select "H" pulse width	0		ns	-
	T_{CS}	Chip select setup time (Write)	15		ns	
	T_{RCS}	Chip select setup time (Read ID)	45		ns	
	T_{RCSFM}	Chip select setup time (Read FM)	355		ns	
	T_{CSF}	Chip select wait time (Write/Read)	10		ns	
	T_{CSH}	Chip select hold time	10		ns	
WRX	T_{WC}	Write cycle	66		ns	-
	T_{WRH}	Control pulse "H" duration	15		ns	
	T_{WRL}	Control pulse "L" duration	15		ns	
RDX (ID)	T_{RC}	Read cycle (ID)	160		ns	When read ID data
	T_{RDH}	Control pulse "H" duration (ID)	90		ns	
	T_{RDL}	Control pulse "L" duration (ID)	45		ns	
RDX (FM)	T_{RCFM}	Read cycle (FM)	450		ns	When read from frame memory
	T_{RDHFM}	Control pulse "H" duration (FM)	90		ns	
	T_{RDLFM}	Control pulse "L" duration (FM)	355		ns	
D[17:0]	T_{DST}	Data setup time	10		ns	For CL=30pF
	T_{DHT}	Data hold time	10		ns	
	T_{RAT}	Read access time (ID)		40	ns	
	T_{RATFM}	Read access time (FM)		340	ns	
	T_{ODH}	Output disable time	20	80	ns	

Reset Timing



Related Pins	Symbol	Parameter	MIN	MAX	Unit
RESX	TRW	Reset pulse duration	10	-	us
	TRT	Reset cancel	-	5 (Note 1, 5)	ms
				120 (Note 1, 6, 7)	ms

Power ON/OFF Sequence



Example Initialization Code

```

/*****/
void TFT_24_7789_Write_Command(unsigned int command)
{
  GPIO_ResetBits(GPIOC, CS1);
  GPIO_ResetBits(GPIOC, RS);
  GPIO_SetBits(GPIOC, nRD);
  GPIO_ResetBits(GPIOC, nWR);
  GPIO_Write(GPIOB, command);
  TFT_delay(10);
  GPIO_SetBits(GPIOC, nWR);
  TFT_delay(1);
}
/*****/
void TFT_24_7789_Write_Data(unsigned int data1)
{
  GPIO_Write(GPIOB, data1);
  GPIO_SetBits(GPIOC, RS);
  GPIO_ResetBits(GPIOC, nWR);
  TFT_delay(1);
  GPIO_SetBits(GPIOC, nWR);
}
/*****/
void TFT_24_7789_Init(void)
{
  int n;
  GPIO_ResetBits(GPIOC, CS1);
  GPIO_SetBits(GPIOC, nRD);
  GPIO_ResetBits(GPIOC, nWR);
  GPIO_WriteBit(GPIOC, RES, Bit_RESET);
  TFT_delay(100);
  GPIO_WriteBit(GPIOC, RES, Bit_SET);
  TFT_delay(100);
  TFT_24_7789_Write_Command(0x0011); //exit SLEEP mode
  TFT_delay(100);

  TFT_24_7789_Write_Command(0x0036);
  TFT_24_7789_Write_Data(0x0080); //MADCTL: memory data access control
  TFT_24_7789_Write_Command(0x003A);
  TFT_24_7789_Write_Data(0x0066); //COLMOD: Interface Pixel format
  TFT_24_7789_Write_Command(0x00B2);
  TFT_24_7789_Write_Data(0x000C);
  TFT_24_7789_Write_Data(0x0C);
  TFT_24_7789_Write_Data(0x00);
  TFT_24_7789_Write_Data(0x33);
  TFT_24_7789_Write_Data(0x33); //PORCTRK: Porch setting
  TFT_24_7789_Write_Command(0x00B7);
  TFT_24_7789_Write_Data(0x0035); //GCTRL: Gate Control
  TFT_24_7789_Write_Command(0x00BB);
  TFT_24_7789_Write_Data(0x002B); //VCOMS: VCOM setting
  TFT_24_7789_Write_Command(0x00C0);
  TFT_24_7789_Write_Data(0x002C); //LCMCTRL: LCM Control
  TFT_24_7789_Write_Command(0x00C2);
  TFT_24_7789_Write_Data(0x0001);
  TFT_24_7789_Write_Data(0xFF); //VDVVRHEN: VDV and VRH Command Enable
  TFT_24_7789_Write_Command(0x00C3);
  TFT_24_7789_Write_Data(0x0011); //VRHS: VRH Set
  TFT_24_7789_Write_Command(0x00C4);
  TFT_24_7789_Write_Data(0x0020); //VDVS: VDV Set

```



```
TFT_24_7789_Write_Command(0x00C6);
TFT_24_7789_Write_Data(0x000F); //FRCTRL2: Frame Rate control in normal mode
TFT_24_7789_Write_Command(0x00D0);
TFT_24_7789_Write_Data(0x00A4);
TFT_24_7789_Write_Data(0xA1); //PWCTRL1: Power Control 1
TFT_24_7789_Write_Command(0x00E0);
TFT_24_7789_Write_Data(0x00D0);
TFT_24_7789_Write_Data(0x0000);
TFT_24_7789_Write_Data(0x0005);
TFT_24_7789_Write_Data(0x000E);
TFT_24_7789_Write_Data(0x0015);
TFT_24_7789_Write_Data(0x000D);
TFT_24_7789_Write_Data(0x0037);
TFT_24_7789_Write_Data(0x0043);
TFT_24_7789_Write_Data(0x0047);
TFT_24_7789_Write_Data(0x0009);
TFT_24_7789_Write_Data(0x0015);
TFT_24_7789_Write_Data(0x0012);
TFT_24_7789_Write_Data(0x0016);
TFT_24_7789_Write_Data(0x0019); //PVGAMCTRL: Positive Voltage Gamma control
TFT_24_7789_Write_Command(0x00E1);
TFT_24_7789_Write_Data(0x00D0);
TFT_24_7789_Write_Data(0x0000);
TFT_24_7789_Write_Data(0x0005);
TFT_24_7789_Write_Data(0x000D);
TFT_24_7789_Write_Data(0x000C);
TFT_24_7789_Write_Data(0x0006);
TFT_24_7789_Write_Data(0x002D);
TFT_24_7789_Write_Data(0x0044);
TFT_24_7789_Write_Data(0x0040);
TFT_24_7789_Write_Data(0x000E);
TFT_24_7789_Write_Data(0x001C);
TFT_24_7789_Write_Data(0x0018);
TFT_24_7789_Write_Data(0x0016);
TFT_24_7789_Write_Data(0x0019); //NVGAMCTRL: Negative Voltage Gamma control
TFT_24_7789_Write_Command(0x002A);
TFT_24_7789_Write_Data(0x0000);
TFT_24_7789_Write_Data(0x0000);
TFT_24_7789_Write_Data(0x0000);
TFT_24_7789_Write_Data(0x00EF); //X address set
TFT_24_7789_Write_Command(0x002B);
TFT_24_7789_Write_Data(0x0000);
TFT_24_7789_Write_Data(0x0000);
TFT_24_7789_Write_Data(0x0001);
TFT_24_7789_Write_Data(0x003F); //Y address set

TFT_delay(10);
}
/*****/
```



Quality Information

Test Item	Content of Test	Test Condition	Note
High Temperature Storage	Endurance test applying the high storage temperature for a long time.	+80°C, 96hrs	2
Low Temperature Storage	Endurance test applying the low storage temperature for a long time.	-30°C, 96hrs	1,2
High Temperature Operation	Endurance test applying the electric stress (voltage & current) and the high thermal stress for a long time.	+70°C, 96hrs	2
Low Temperature Operation	Endurance test applying the electric stress (voltage & current) and the low thermal stress for a long time.	-20°C, 96hrs	1,2
High Temperature / Humidity Operation	Endurance test applying the electric stress (voltage & current) and the high thermal with high humidity stress for a long time.	+40°C, 90-95% RH, 96hrs	1,2
Thermal Shock resistance	Endurance test applying the electric stress (voltage & current) during a cycle of low and high thermal stress.	-20°C,30min -> 25°C,5min -> 70°C,30min -> 25°C,5min = 1 cycle. 10 cycles	
Vibration test	Endurance test applying vibration to simulate transportation and use.	10Hz-55Hz, 1.5mm amplitude. 2hrs in each of 3 directions X,Y,Z	3
Static electricity test	Endurance test applying electric static discharge.	VS=8KV, RS=330kΩ, CS=150pF Ten times	

Note 1: No condensation to be observed.

Note 2: Conducted after 4 hours of storage at 25°C, 0%RH.

Note 3: Test performed on product itself, not inside a container.